

# DF61 (A548)

This parts catalog is includes MB No.1 to 5

## PARTS CATALOG

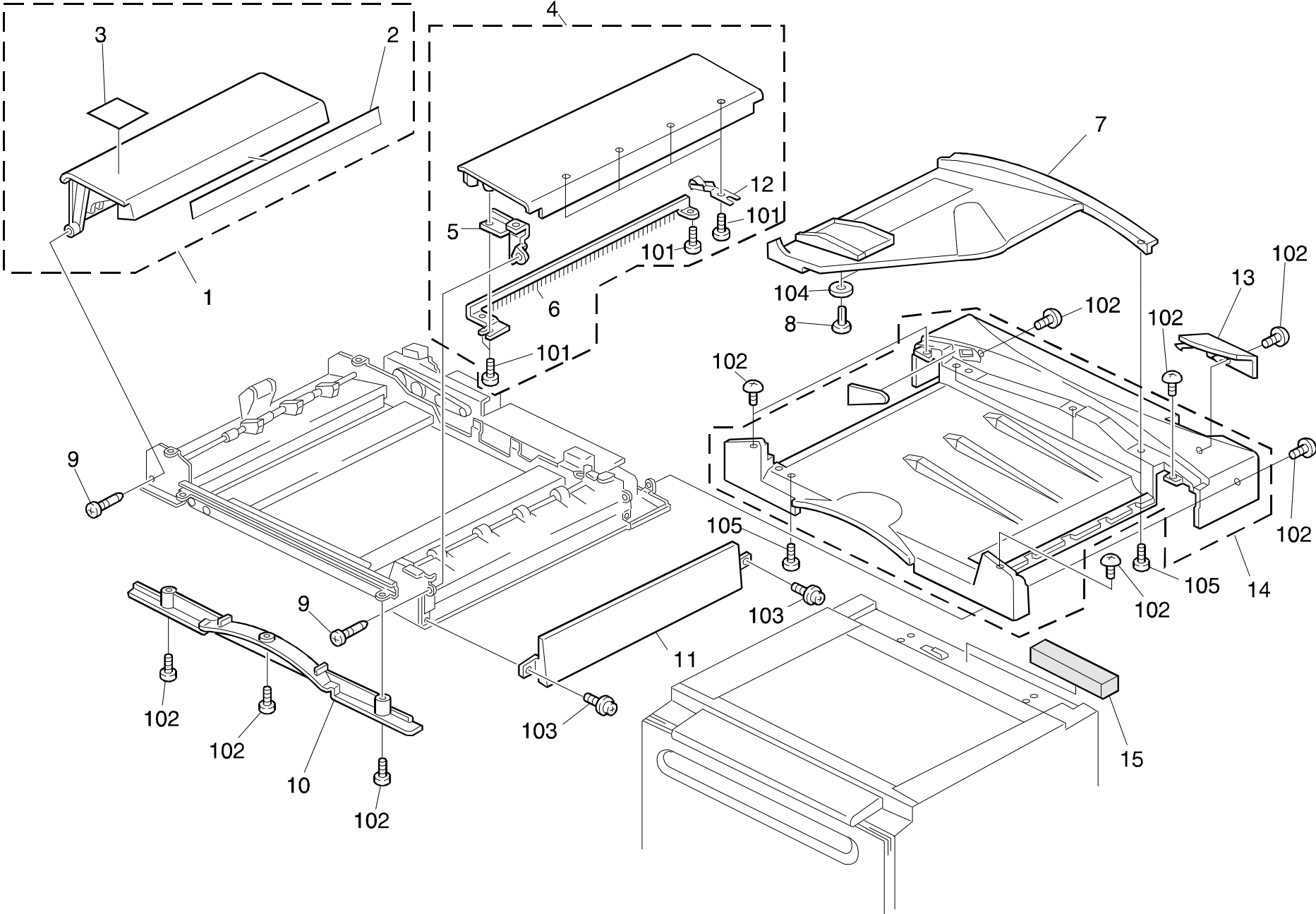
### INTRODUCTION

This chapter instructs you the numbers and names of parts on this machine.

### INDEX to PARTS CATALOG

1.EXTERIOR (A548) .....	2
2.PAPER FEED SECTION 1 (A548) .....	4
3.PAPER FEED SECTION 2 (A548) .....	6
4.TRANSFER BELT UNIT (A548) .....	8
5.PAPER EXIT SECTION (A548).....	10
6.DRIVE SECTION (A548).....	12
7.DECAL AND DOCUMENT (A548) .....	14
<b>PARTS INDEX .....</b>	<b>17</b>

# 1. EXTERIOR (A548)



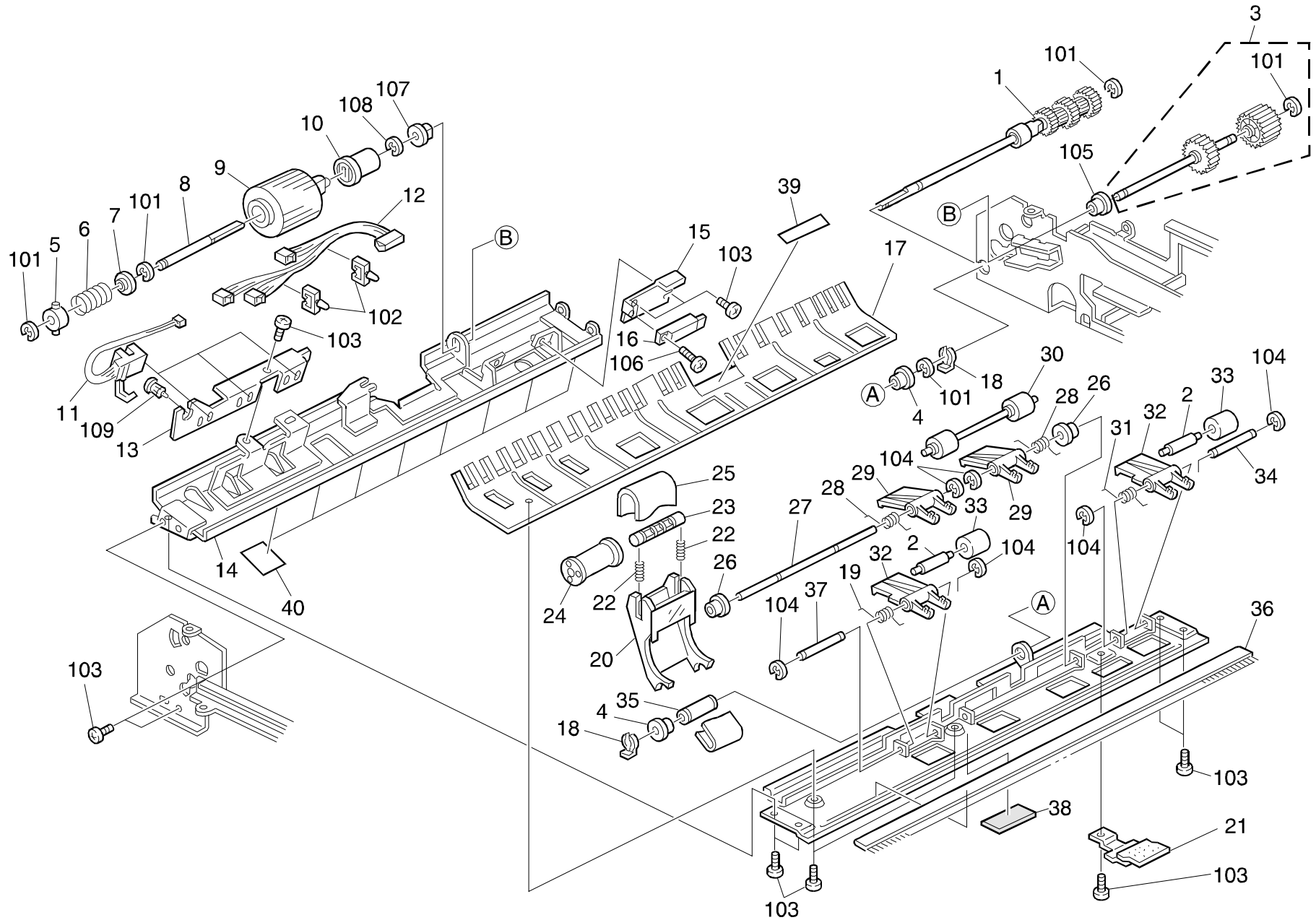
## 1.EXTERIOR (A548)

Index No.	Part No.	Description	Q ty Per Assembly
1	A548 1812	Left Cover Ass y	1
2	A548 1912	Decal - Size - Original - NA	1
3	A548 1921	Decal - Misfeed Removal	1
4	A548 1831	Exit Cover Ass y	1
5	A548 1382	Front Bracket - Exit Roller	1
6	A548 1385	Antistatic Brush Bracket	1
7	A548 1731	Original Table	1
8	5875 2088	Shoulder Screw - M4	3
9	5446 2824	Screw - Duplex Guide Plate	2
10	A548 1861	Front Cover	1
11	A548 1851	Right Cover	1
12	A548 1241	Driven Roller Ass y	1
13	A548 1781	Main Board Cover	1
14	A548 1711	Upper Cover	1
15	A548 6131	Cushion - 20x190x30	1




Index No.	Part No.	Description	Q ty Per Assembly
101	0414 0082B	Binding Self Tapping Screw - M4x8	
102	0344 0060F	Philips Truss Head Screw - M4x6	
103	0951 4008B	Philips Screw With Washer - M4x8	
104	0701 0040B	Hexagon Nut - M4	
105	0414 0122B	Philips Tapping Screw - M4x12	

## 2. PAPER FEED SECTION 1 (A548)

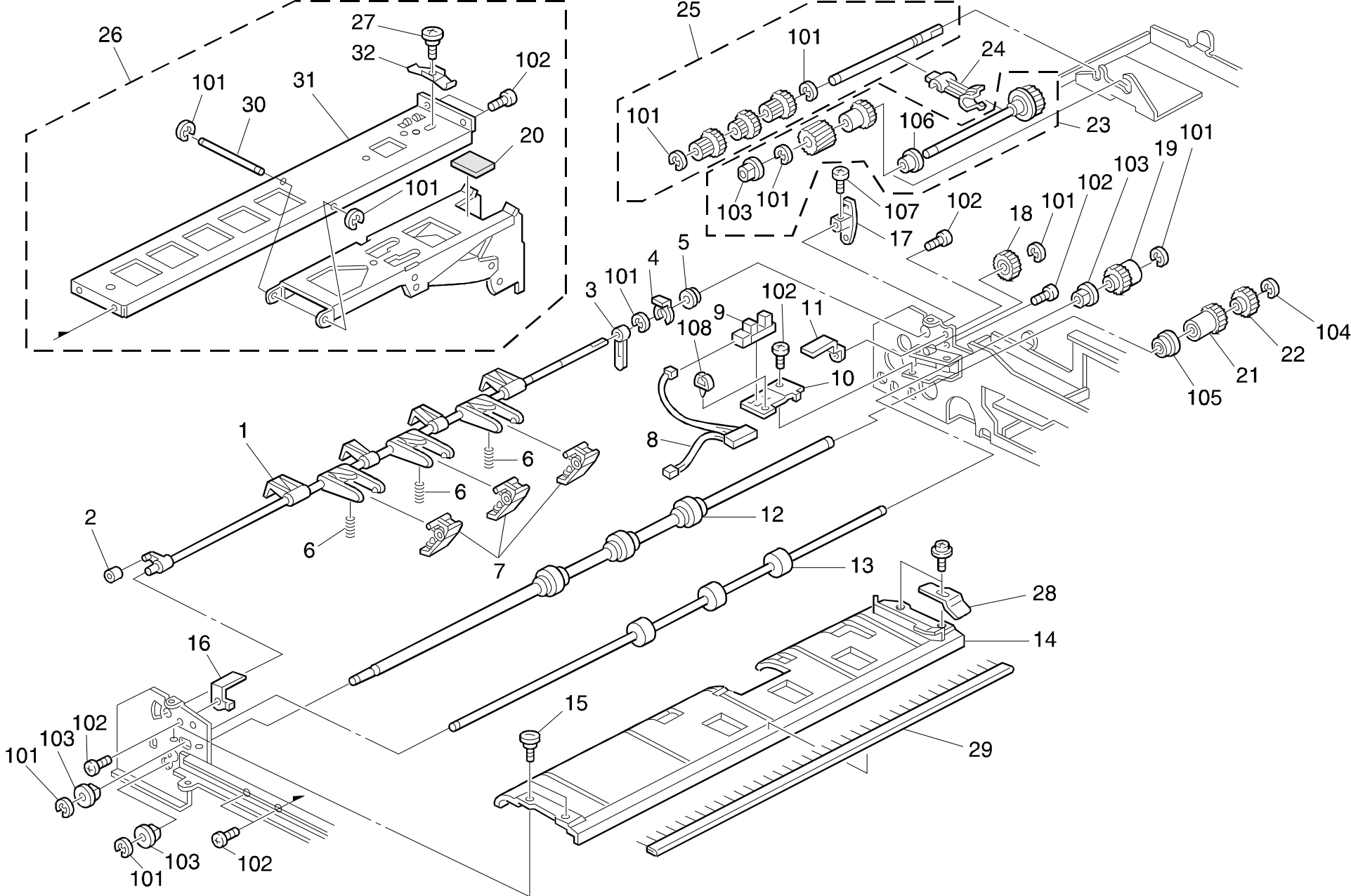


## 2.PAPER FEED SECTION 1 (A548)

Index No.	Part No.	Description	Q ty Per Assembly
1	A548 2331	Gear - 23Z	1
2	A548 1208	Side Driven Roller	2
3	A548 2321	Gear - 32Z	1
4	A548 1283	Bushing - 6x10x6.5mm	3
5	A376 1461	Feed Roller Bushing	1
6	A376 1467	Feed Roller Pressure Spring	1
7	A376 1465	Feed Roller Bushing	2
8	A548 2174	Driven Roller Shaft	1
9	<b>A548 1271</b>	<b>Separation Roller</b>	<b>1</b>
10	A548 2341	Joint Roller	1
11	AW02 0054	Sensor - Duplex 	3
12	A548 5250	Relay Harness	1
13	A548 1158	Paper Size Sensor Bracket	1
14	A548 1161	Middle Paper Feed Guide	1
15	A548 1156	Regist Sensor Bracket	1
16	AW01 0027	Photosensor - ON2530 CT	2
17	A548 1171	Lower Paper Feed Guide	1
18	5447 2681	Snap Ring	3
19	A548 1195	Pressure Spring - Side Arm	1
20	A548 1291	Separation Belt Bracket	1
21	A548 1175	Base Cover	1
22	AA06 3503	Pressurespring	2
23	A548 1288	Belt Driven Shaft	1
24	A548 1286	Belt Driven Roller	1
25	<b>A548 1276</b>	<b>Separation Belt</b>	<b>1</b>
26	5324 1658	Bushing- 4x8x4.5mm	2
27	A548 1192	Middle Arm Shaft	1
28	A548 1196	Pressure Spirng - Middle Arm	2
29	A548 1194	Middle Arm - Driven Shaft	2
30	A548 1202	Middle Driven Roller	1
31	A548 1197	Pressure Spring	1
32	A548 1193	Side Arm - Driven Shaft	2
33	A548 1207	Side Driven Roller	2
34	A548 1206	Rear Arm Shaft	1
35	A548 1281	Belt Drive Roller	1

Index No.	Part No.	Description	Q ty Per Assembly
36	A376 3242	Antistatic Brush	1
37	A548 1191	Sidearm Shaft	1
38	A548 1179	Cushion - 5x15x50	1
39	A548 1172	Lower Separation Guide	1
40	A548 1173	Transfer Belt Guide	1
101	0720 0040E	Retaining Ring - M4	
102	1105 0229	Clamp	
103	0314 0060B	Philips Pan Head Screw - M4x6	
104	0720 0030E	Retaining Ring - M3	
105	0805 3263	Bearing - 6 X 10 X 6mm	
106	0313 0100B	Philips Pan Head Screw - M3x10	
107	0805 3480	Bushing - 6mm	
108	0805 0089	Retaining Ring - M4	
109	1106 0241	Bushing - 6.7mm	

### 3. PAPER FEED SECTION 2 (A548)



### 3.PAPER FEED SECTION 2 (A548)

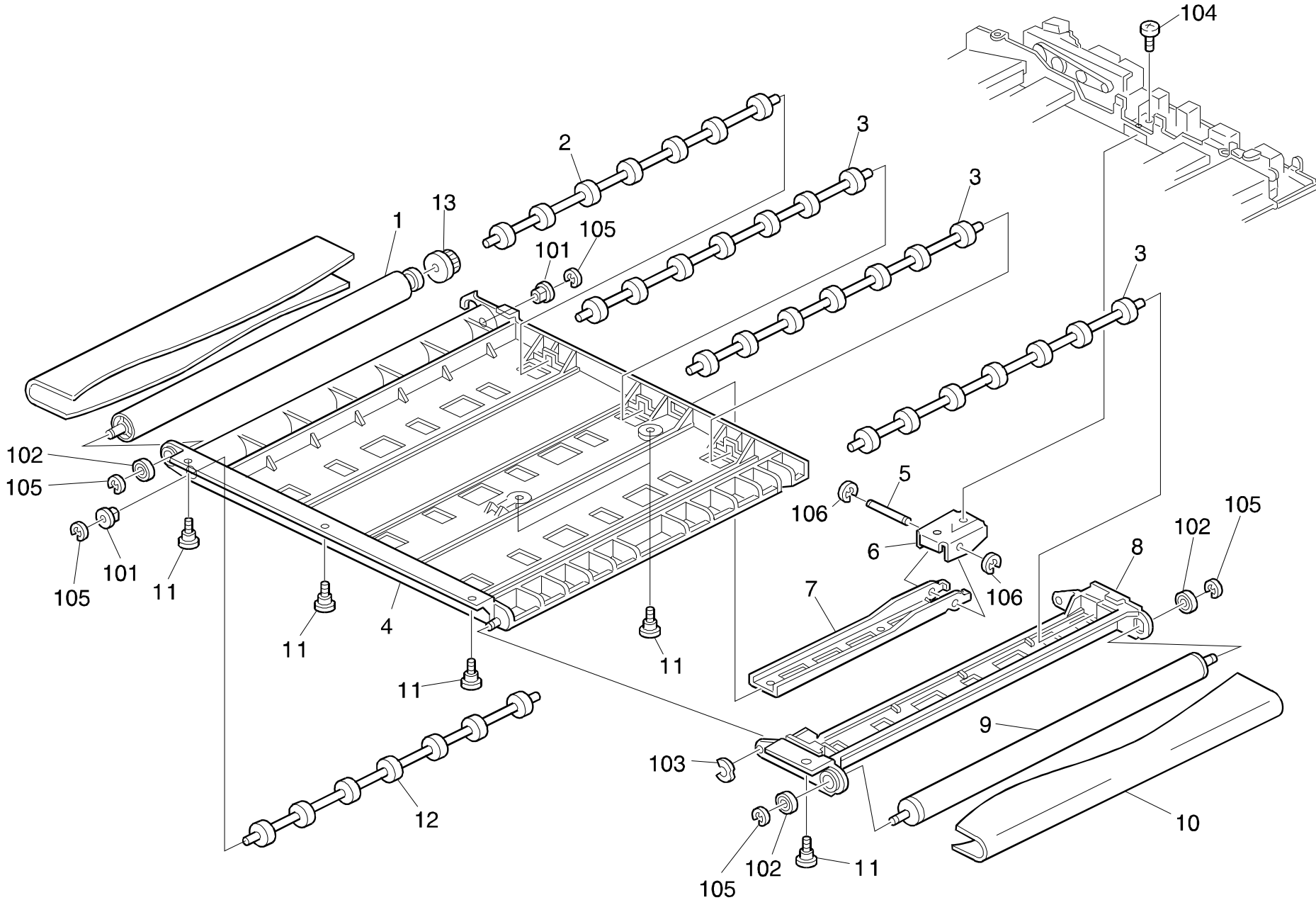
Index No.	Part No.	Description	Q ty Per Assembly
1	A548 1312	Entrance Gate Stopper	1
2	A548 1317	Lever Cushion	1
3	A548 1315	Original Sensor Feeler	1
4	5447 2681	Snap Ring	1
5	A548 1283	Bushing - 6x10x6.5mm	1
6	A458 2165	Spring - Driven Roller	3
7	A548 1313	Holder Plate	3
8	A548 5260	Sensor Harness	1
9	AW02 0075	Photointerruptor	1
	AW02 0021	X/O MB 3	
10	A548 1372	Original Sensor Bracket	1
11	A548 1363	Rear Bracket - Left Cover	1
12	A548 1256	Pull-Out Roller	1
13	A548 1251	Paper Feed Roller	1
14	A548 1151	Upper Guide Plate	1
15	5419 5714	Stepped Screw - M4	2
16	A548 1361	Front Bracket - Left Cover	1
17	A548 1314	Stopper Lever	1
18	A548 2325	Gear - 18Z	1
19	A548 2319	Gear - 20Z	1
20	A351 4281	Anti-Vibration Cushion	1
21	A548 2315	Gear - 24Z	1
22	A548 2317	Gear - 24Z	1
23	A548 2171	Paper Feed Shaft	1
24	A548 2191	Stopper Gear - 22Z	1
25	A548 2351	Idle Roller Shaft	1
26	A548 1510	Left Hinge	1
27	AA14 3039	Spring Holder	1
28	A548 1153	Grounding Plate	1
29	A548 1154	Antistatic Brush	1
30	A548 1137	Left Arm Shaft	1
31	A548 1131	Left Stay	1
32	A548 1135	Spring Plate	1

Index No.	Part No.	Description	Q ty Per Assembly
101	0720 0040E	Retaining Ring - M4	
102	0314 0060B	Philips Pan Head Screw - M4x6	
103	0805 3480	Bushing - 6mm	
104	0720 0060E	Retaining Ring - M6	
105	0741 3808	Ball Bearing - 8x16x5mm	
106	0740 3906	Ball Bearing - 6x15x5	
107	0353 0050B	Philips Truss Head Screw - M3x5	
108	1105 0199	Clamp	










# 4. TRANSFER BELT UNIT (A548)

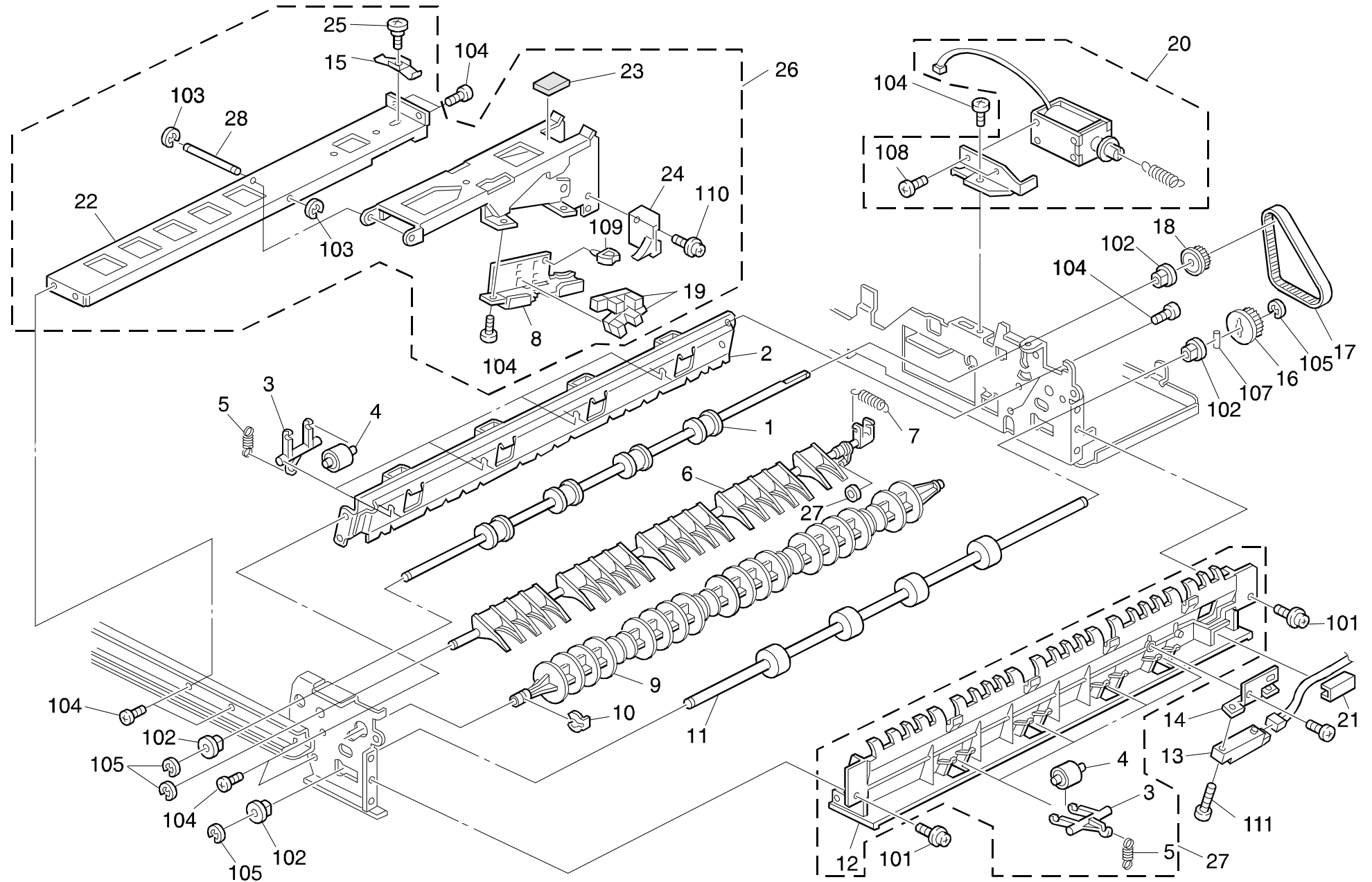


#### 4.TRANSFER BELT UNIT (A548)

Index No.	Part No.	Description	Qty Per Assembly
1	A548 1432	Belt Drive Roller	1
2	A548 1463	Belt Pressure Roller	1
3	A548 1461	Belt Pressure Roller	3
4	A548 1412	Transport Base Plate	1
5	A548 1443	Arm Shaft	1
6	A548 1446	Arm Bracket	1
7	A548 1442	Transport Arm	1
8	A548 1422	Transport Stay	1
9	A376 2132	Belt Driven Roller	1
<b>10</b>	<b>A548 1481</b>	<b>Transport Belt</b>	<b>1</b>
11	5419 5714	Stepped Screw - M4 	5
12	A548 1451	Belt Driven Roller	1
13	A548 2141	Timing Pulley - 20Z 	1
			
			
			

Index No.	Part No.	Description	Qty Per Assembly
101	0805 3480	Bushing - 6mm	
102	0740 3506	Ball Bearing - 6x12x4 mm	
103	0805 0089	Retaining Ring - M4	
104	0314 0060B	Philips Pan Head Screw - M4x6	
105	0720 0040E	Retaining Ring - M4	
106	0720 0030E	Retaining Ring - M3	

# 5. PAPER EXIT SECTION (A548)



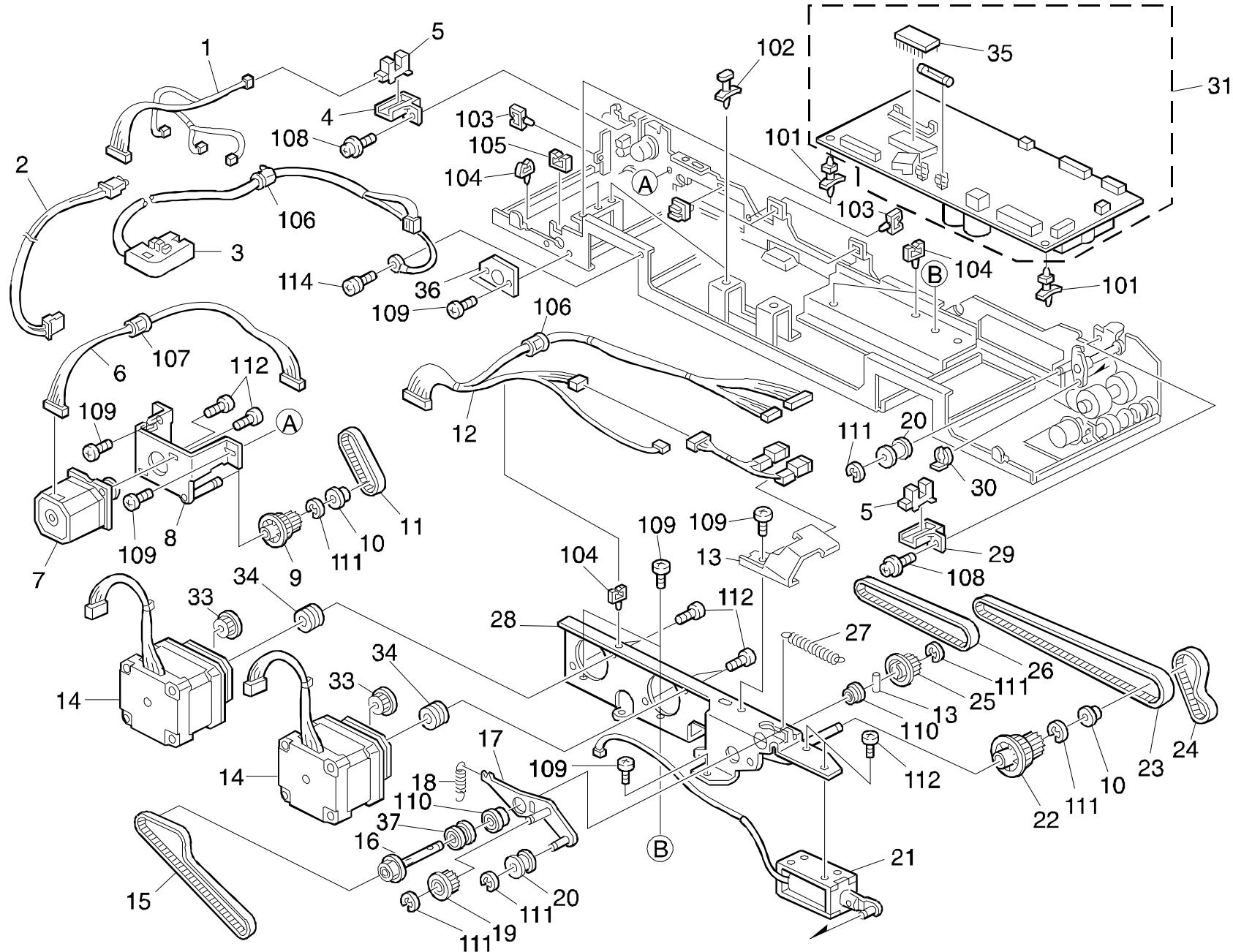
## 5.PAPER EXIT SECTION (A548)

Index No.	Part No.	Description	Q ty Per Assembly
1	A548 1261	Exit Roller	1
2	A548 1210	Paper Inverter Guide Plate	1
3	A548 1234	Driven Roller Arm	1
4	A548 1233	Driven Roller	8
5	AA06 0588	Pressure Spring	8
6	A548 1320	Inverter Gate Plate	1
7	AA06 0612	Pressure Spring	1
8	A548 1541	Safety Switch Bracket	1
9	A548 1231	Guide Roller	1
10	5215 2621	Snap Ring - M6	1
11	A548 1266	Inverter Roller	1
12	A548 1221	Paper Exit Guide	1
13	AW01 0027	Photosensor - ON2530 CT	2
14	A548 1357	Exit Sensor Bracket	1
15	A548 1135	Spring Plate	1
16	A548 2133	Timing Pulley - 24Z	1
17	AA04 3381	Timing Belt - B40s3m192	1
18	A548 2137	Timing Pulley - 18Z	1
19	AW02 0021	Photointerruptor - 175487-3	5
20	A548 1341	Paper Exit Solenoid	1
21	A548 1359	Harness Holder	1
22	A548 1133	Right Stay	1
23	A351 4281	Anti-Vibration Cushion	2
24	A548 1531	Safety Switch Feeler	1
25	AA14 3039	Spring Holder	2
26	A548 1520	Right Hinge	1
27	A548 1220	Paper Exit Guide	1
28	A548 1139	Right Arm Shaft	1




Index No.	Part No.	Description	Q ty Per Assembly
101	0951 4008B	Philips Screw With Washer - M4x8	
102	0805 3480	Bushing - 6mm	
103	0720 0030E	Retaining Ring - M3	
104	0314 0060B	Philips Pan Head Screw - M4x6	
105	0720 0040E	Retaining Ring - M4	
106	0413 0082B	Tapping Screw - M3x8	
107	0632 0120G	Parallel Pin - 2x12	
108	0353 0040B	Screw - M3x4	
109	1105 0229	Clamp	
110	0951 4006B	Philips Screw With Washer - M4x6	
111	0313 0100B	Philips Pan Head Screw - M3x10	

# 6. DRIVE SECTION (A548)



## 6.DRIVE SECTION (A548)

Index No.	Part No.	Description	Qty Per Assembly
1	A548 5220	Paper Exit Harness	1
2	AW03 0037	Optical Fiber	1
3	A548 5281	Interface Harness	1
4	A548 1351	Photosensor Bracket	1
5	AW02 0021	Photointerruptor - 175487-3	2
6	A548 5240	Inverter Harness	1
7	A548 2621	Paper Exit Motor	1
8	A548 1336	Paper Exit Motor Bracket	1
9	A548 2135	Timing Pulley- 16/34Z	1
10	5936 2321	Rubber Bushing - Vibration Damper	2
11	AA04 3380	Timing Belt - B40S2S116	1
12	A548 5210	Paper Feed Harness	1
13	A548 1366	Indicator Bracket 	1
14	AX05 0078	Stepping Motor - 2.8V 12W	1
15	AA04 3379	Timing Belt - B40S3M288	1
16	A548 2125	Timing Pulley - 16Z	1
17	A548 2182	Fixing Plate	1
18	AA06 0590	Pressure Spring	1
19	AB03 0354	Pulley - 20t	1
20	A548 2139	Idle Pulley	2
21	A548 2571	Paper Feed Solenoid	1
22	A548 2131	Timing Pulley - 16/42Z	1
23	AA04 3377	Timing Belt - B40S2M380	1
24	AA04 3378	Timing Belt - B40S3M159	1
25	A548 2121	Timing Pulley - 31Z	1
26	AA04 3376	Timing Belt - B40S2M194	1
27	AA06 0589	Pressure Spring	1
28	A548 1331	Paper Feed Motor Bracket	1
29	A548 1352	Photosensor Bracket - Paper Feed	1
30	5206 2686	Snap Ring	1
31	A548 5530	Main Control Board	1
	A548 5520	x/o MB 4	
32	A548 5230	Indicator Harness	1
33	A548 2111	Timing Pulley - 20Z	1
34	A548 2113	Motor Cushion	1

Index No.	Part No.	Description	Qty Per Assembly
35	A548 8515	IC - 256k X8 150NS	1
	A548 5810	x/o MB 4	
36	A548 1129	Harness Bracket	1
37	5937 4158	Spring Washer - BD10 MB 2 (ADDED)	2
101	1105 0194	PCB Stud	
102	1105 0410	Card Spacer - 9.4mm	
103	1105 0199	Clamp	
104	1105 0229	Clamp	
105	1105 0328	Harness Clamp - ES-0505	
106	1106 0289	Bushing - SR-5N-1	
107	1106 0241	Bushing - 6.7mm	
108	0951 4006B	Philips Screw With Washer - M4x6	
109	0314 0060B	Philips Pan Head Screw - M4x6	
110	0741 3506	Ball Bearing - 6x12x4 Mm	
111	0720 0040E	Retaining Ring - M4	
112	0353 0050B	Philips Truss Head Screw - M3x5	
113	0632 0120G	Parallel Pin - 2x12	
114	0951 4008B	Philips Screw With Washer - M4x8	

## 7. DECAL AND DOCUMENT (A548)

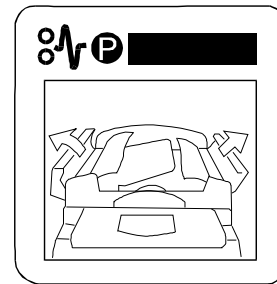
1



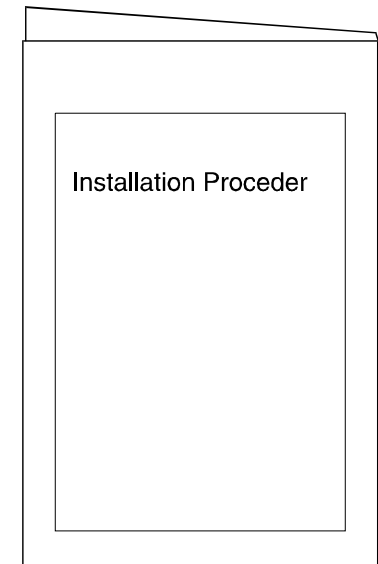
2



3



4



## 7.DECAL AND DOCUMENT (A548)

Index No.	Part No.	Description	Qty Per Assembly
1	A548 1912	Decal - Size - Original - NA	1
2	A548 1921	Decal - Misfeed Removal	1
3	A548 1931	Decal - Original Table	1
4	A548 8610	Installation Procedure	1

Index No.	Part No.	Description	Qty Per Assembly
-----------	----------	-------------	------------------



# **PARTS INDEX**

## PM Parts Index

Section Name	Part No.	Description in Service Manual	Description in Parts Catalog	Q ty Per Assembly	Page and Index No
PAPER FEED SECTION 1 (A548)	A548 1271	Separation Roller	Separation Roller	1	5- 9
	A548 1276	Separation Belt	Separation Belt	1	5- 25
TRANSFER BELT UNIT (A548)	A548 1481	Transport Belt	Transport Belt	1	9- 10

Part No.	Description	Page and Index No.
A548 1129	Harness Bracket	13- 36
A548 1131	Left Stay	7- 31
A548 1133	Right Stay	11- 22
A548 1135	Spring Plate	7- 32
A548 1135	Spring Plate	11- 15
A548 1137	Left Arm Shaft	7- 30
A548 1139	Right Arm Shaft	11- 28
A548 1151	Upper Guide Plate	7- 14
A548 1153	Grounding Plate	7- 28
A548 1154	Antistatic Brush	7- 29
A548 1156	Regist Sensor Bracket	5- 15
A548 1158	Paper Size Sensor Bracket	5- 13
A548 1161	Middle Paper Feed Guide	5- 14
A548 1171	Lower Paper Feed Guide	5- 17
A548 1172	Lower Separation Guide	5- 39
A548 1173	Transfer Belt Guide	5- 40
A548 1175	Base Cover	5- 21
A548 1179	Cushion - 5x15x50	5- 38
A548 1191	Sidearm Shaft	5- 37
A548 1192	Middle Arm Shaft	5- 27
A548 1193	Side Arm - Driven Shaft	5- 32
A548 1194	Middle Arm - Driven Shaft	5- 29
A548 1195	Pressure Spring - Side Arm	5- 19
A548 1196	Pressure Spring - Middle Arm	5- 28
A548 1197	Pressure Spring	5- 31
A548 1202	Middle Driven Roller	5- 30
A548 1206	Rear Arm Shaft	5- 34
A548 1207	Side Driven Roller	5- 33
A548 1208	Side Driven Roller	5- 2
A548 1210	Paper Inverter Guide Plate	11- 2
A548 1220	Paper Exit Guide	11- 27
A548 1221	Paper Exit Guide	11- 12
A548 1231	Guide Roller	11- 9
A548 1233	Driven Roller	11- 4
A548 1234	Driven Roller Arm	11- 3

Part No.	Description	Page and Index No.
A548 1241	Driven Roller Ass y	3- 12
A548 1251	Paper Feed Roller	7- 13
A548 1256	Pull-Out Roller	7- 12
A548 1261	Exit Roller	11- 1
A548 1266	Inverter Roller	11- 11
A548 1271	Separation Roller	5- 9
A548 1276	Separation Belt	5- 25
A548 1281	Belt Drive Roller	5- 35
A548 1283	Bushing - 6x10x6.5mm	5- 4
A548 1283	Bushing - 6x10x6.5mm	7- 5
A548 1286	Belt Driven Roller	5- 24
A548 1288	Belt Driven Shaft	5- 23
A548 1291	Separation Belt Bracket	5- 20
A548 1312	Entrance Gate Stopper	7- 1
A548 1313	Holder Plate	7- 7
A548 1314	Stopper Lever	7- 17
A548 1315	Original Sensor Feeler	7- 3
A548 1317	Lever Cushion	7- 2
A548 1320	Inverter Gate Plate	11- 6
A548 1331	Paper Feed Motor Bracket	13- 28
A548 1336	Paper Exit Motor Bracket	13- 8
A548 1341	Paper Exit Solenoid	11- 20
A548 1351	Photosensor Bracket	13- 4
A548 1352	Photosensor Bracket - Paper Feed	13- 29
A548 1357	Exit Sensor Bracket	11- 14
A548 1359	Harness Holder	11- 21
A548 1361	Front Bracket - Left Cover	7- 16
A548 1363	Rear Bracket - Left Cover	7- 11
A548 1366	Indicator Bracket	13- 13
A548 1372	Original Sensor Bracket	7- 10
A548 1382	Front Bracket - Exit Roller	3- 5
A548 1385	Antistatic Brush Bracket	3- 6
A548 1412	Transport Base Plate	9- 4
A548 1422	Transport Stay	9- 8
A548 1432	Belt Drive Roller	9- 1

Part No.	Description	Page and Index No.
A548 1442	Transport Arm	9- 7
A548 1443	Arm Shaft	9- 5
A548 1446	Arm Bracket	9- 6
A548 1451	Belt Driven Roller	9- 12
A548 1461	Belt Pressure Roller	9- 3
A548 1463	Belt Pressure Roller	9- 2
A548 1481	Transport Belt	9- 10
A548 1510	Left Hinge	7- 26
A548 1520	Right Hinge	11- 26
A548 1531	Safety Switch Feeler	11- 24
A548 1541	Safety Switch Bracket	11- 8
A548 1711	Upper Cover	3- 14
A548 1731	Original Table	3- 7
A548 1781	Main Board Cover	3- 13
A548 1812	Left Cover Ass y	3- 1
A548 1831	Exit Cover Ass y	3- 4
A548 1851	Right Cover	3- 11
A548 1861	Front Cover	3- 10
A548 1912	Decal - Size - Original - NA	3- 2
A548 1912	Decal - Size - Original - NA	15- 1
A548 1921	Decal - Misfeed Removal	3- 3
A548 1921	Decal - Misfeed Removal	15- 2
A548 1931	Decal - Original Table	15- 3
A548 2111	Timing Pulley - 20Z	13- 33
A548 2113	Motor Cushion	13- 34
A548 2121	Timing Pulley - 31Z	13- 25
A548 2125	Timing Pulley - 16Z	13- 16
A548 2131	Timing Pulley - 16/42Z	13- 22
A548 2133	Timing Pulley - 24Z	11- 16
A548 2135	Timing Pulley- 16/34Z	13- 9
A548 2137	Timing Pulley - 18Z	11- 18
A548 2139	Idle Pulley	13- 20
A548 2141	Timing Pulley - 20Z	9- 13
A548 2171	Paper Feed Shaft	7- 23
A548 2174	Driven Roller Shaft	5- 8

Part No.	Description	Page and Index No
A548 2182	Fixing Plate	13- 17
A548 2191	Stopper Gear - 22Z	7- 24
A548 2315	Gear - 24Z	7- 21
A548 2317	Gear - 24Z	7- 22
A548 2319	Gear - 20Z	7- 19
A548 2321	Gear - 32Z	5- 3
A548 2325	Gear - 18Z	7- 18
A548 2331	Gear - 23Z	5- 1
A548 2341	Joint Roller	5- 10
A548 2351	Idle Roller Shaft	7- 25
A548 2571	Paper Feed Solenoid	13- 21
A548 2621	Paper Exit Motor	13- 7
A548 5210	Paper Feed Harness	13- 12
A548 5220	Paper Exit Harness	13- 1
A548 5230	Indicator Harness	13- 32
A548 5240	Inverter Harness	13- 6
A548 5250	Relay Harness	5- 12
A548 5260	Sensor Harness	7- 8
A548 5281	Interface Harness	13- 3
A548 5520	x/o MB 4	13- 31
A548 5530	Main Control Board	13- 31
A548 5810	x/o MB 4	13- 35
A548 6131	Cushion - 20x190x30	3- 15
A548 8515	IC - 256k X8 150NS	13- 35
A548 8610	Installation Procedure	15- 4

Part No.	Description	Page and Index No.
AA04 3376	Timing Belt - B40S2M194	13- 26
AA04 3377	Timing Belt - B40S2M380	13- 23
AA04 3378	Timing Belt - B40S3M159	13- 24
AA04 3379	Timing Belt - B40S3M288	13- 15
AA04 3380	Timing Belt - B40S2S116	13- 11
AA04 3381	Timing Belt - B40s3m192	11- 17
AA06 0588	Pressure Spring	11- 5
AA06 0589	Pressure Spring	13- 27
AA06 0590	Pressure Spring	13- 18
AA06 0612	Pressure Spring	11- 7
AA06 3503	Pressurespring	5- 22
AA14 3039	Spring Holder	7- 27
AA14 3039	Spring Holder	11- 25
AB03 0354	Pulley - 20t	13- 19
AW01 0027	Photosensor - ON2530 CT	5- 16
AW01 0027	Photosensor - ON2530 CT	11- 13
AW02 0021	X/O MB 3	7- 9
AW02 0021	Photointerruptor - 175487-3	11- 19
AW02 0021	Photointerruptor - 175487-3	13- 5
AW02 0054	Sensor - Duplex	5- 11
AW02 0075	Photointerruptor	7- 9
AW03 0037	Optical Fiber	13- 2
AX05 0078	Stepping Motor - 2.6V 12W	13- 14

Part No.	Description	Page and Index No
A351 4281	Anti-Vibration Cushion	7- 20
A351 4281	Anti-Vibration Cushion	11- 23
A376 1461	Feed Roller Bushing	5- 5
A376 1465	Feed Roller Bushing	5- 7
A376 1467	Feed Roller Pressure Spring	5- 6
A376 2132	Belt Driven Roller	9- 9
A376 3242	Antistatic Brush	5- 36
A458 2165	Spring - Driven Roller	7- 6
5206 2686	Snap Ring	13- 30
5215 2621	Snap Ring - M6	11- 10
5324 1658	Bushing- 4x8x4.5mm	5- 26
5419 5714	Stepped Screw - M4	7- 15
5419 5714	Stepped Screw - M4	9- 11
5446 2824	Screw - Duplex Guide Plate	3- 9
5447 2681	Snap Ring	5- 18
5447 2681	Snap Ring	7- 4
5875 2088	Shoulder Screw - M4	3- 8
5936 2321	Rubber Bushing - Vibration Damper	13- 10
5937 4158	Spring Washer - BD10 MB 2 (ADDED)	13- 37

Part No.	Description	Page and Index No.
0313 0100B	Philips Pan Head Screw - M3x10	5-106
0313 0100B	Philips Pan Head Screw - M3x10	11-111
0314 0060B	Philips Pan Head Screw - M4x6	5-103
0314 0060B	Philips Pan Head Screw - M4x6	7-102
0314 0060B	Philips Pan Head Screw - M4x6	9-104
0314 0060B	Philips Pan Head Screw - M4x6	11-104
0314 0060B	Philips Pan Head Screw - M4x6	13-109
0344 0060F	Philips Truss Head Screw - M4x6	3-102
0353 0040B	Screw - M3x4	11-108
0353 0050B	Philips Truss Head Screw - M3x5	7-107
0353 0050B	Philips Truss Head Screw - M3x5	13-112
0413 0082B	Tapping Screw - M3x8	11-106
0414 0082B	Binding Self Tapping Screw - M4x8	3-101
0414 0122B	Philips Tapping Screw - M4x12	3-105
0632 0120G	Parallel Pin - 2x12	11-107
0632 0120G	Parallel Pin - 2x12	13-113
0701 0040B	Hexagon Nut - M4	3-104
0720 0030E	Retaining Ring - M3	5-104
0720 0030E	Retaining Ring - M3	9-106
0720 0030E	Retaining Ring - M3	11-103
0720 0040E	Retaining Ring - M4	5-101
0720 0040E	Retaining Ring - M4	7-101
0720 0040E	Retaining Ring - M4	9-105
0720 0040E	Retaining Ring - M4	11-105
0720 0040E	Retaining Ring - M4	13-111
0720 0060E	Retaining Ring - M6	7-104
0740 3506	Ball Bearing - 6x12x4 mm	9-102
0740 3906	Ball Bearing - 6x15x5	7-106
0741 3506	Ball Bearing - 6x12x4 Mm	13-110
0741 3808	Ball Bearing - 8x16x5mm	7-105
0805 0089	Retaining Ring - M4	5-108
0805 0089	Retaining Ring - M4	9-103
0805 3263	Bearing - 6 X 10 X 6mm	5-105
0805 3480	Bushing - 6mm	5-107
0805 3480	Bushing - 6mm	7-103

Part No.	Description	Page and Index No
0805 3480	Bushing - 6mm	9-101
0805 3480	Bushing - 6mm	11-102
0951 4006B	Philips Screw With Washer - M4x6	11-110
0951 4006B	Philips Screw With Washer - M4x6	13-108
0951 4008B	Philips Screw With Washer - M4x8	3-103
0951 4008B	Philips Screw With Washer - M4x8	11-101
0951 4008B	Philips Screw With Washer - M4x8	13-114
1105 0194	PCB Stud	13-101
1105 0199	Clamp	7-108
1105 0199	Clamp	13-103
1105 0229	Clamp	5-102
1105 0229	Clamp	11-109
1105 0229	Clamp	13-104
1105 0328	Harness Clamp - ES-0505	13-105
1105 0410	Card Spacer - 9.4mm	13-102
1106 0241	Bushing - 6.7mm	5-109
1106 0241	Bushing - 6.7mm	13-107
1106 0289	Bushing - SR-5N-1	13-106